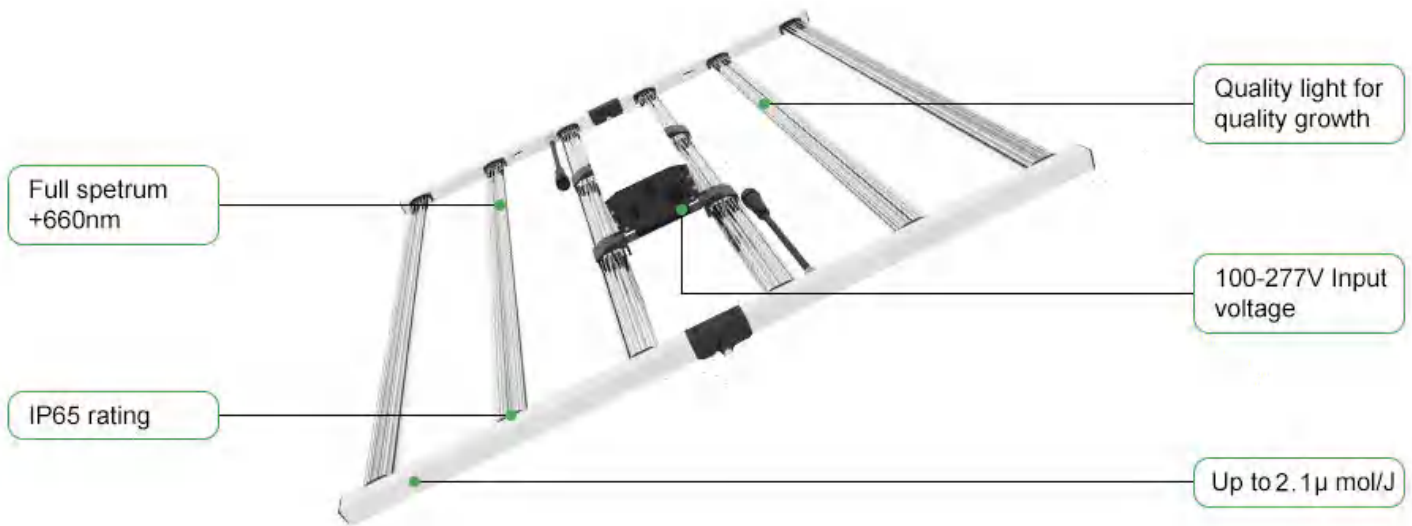


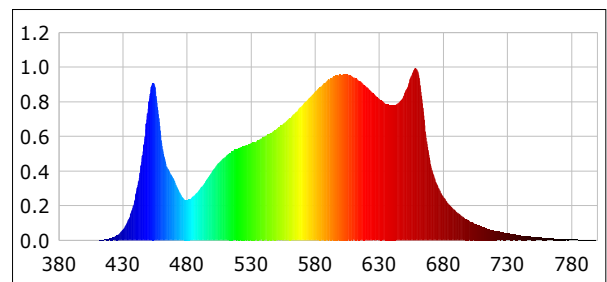
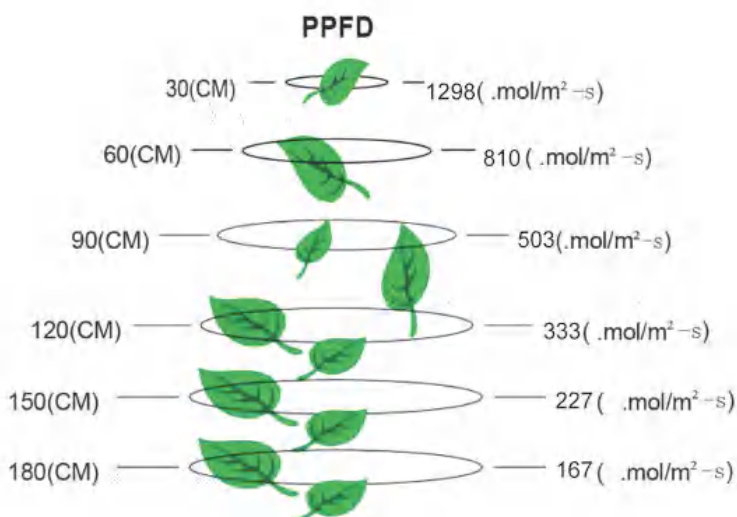
LED 640W Code:LLL0640ALL0080

LED Grow Lights



Product Feature

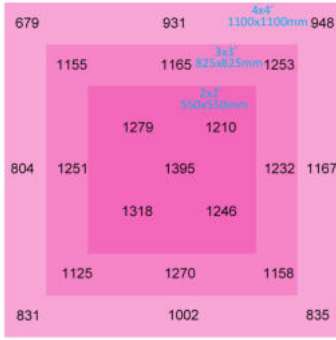
- Samsung 2810B
- Shorten growth cycles
- Improve color, shape and taste
- Plant growth is not affected by the weather
- Custom light recipe to fit your crop and situation
- Best for all plants all stages growing
- Increase yield & crop qualityf
- Low maintenance costs
- Easy to mount and connect



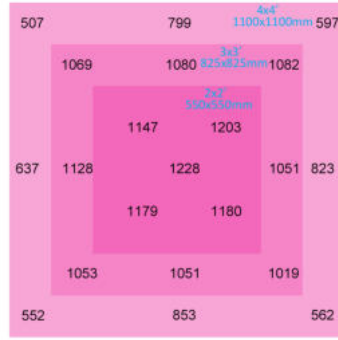
1. Full-spectrum light output
2. High efficiency (2.8 μmol/j)
3. High output for high intensity
4. Ambient temperatures from -10°C (14°F) to 40°C (104°F)
5. Intelligent control design and 0-100% power dimming function.
6. Long life time :L90: >54,000hrs

LED 640W Code:LLL0640ALL0080

LED Grow Lights



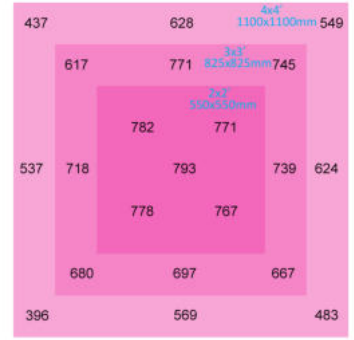
6" Height



12" Height

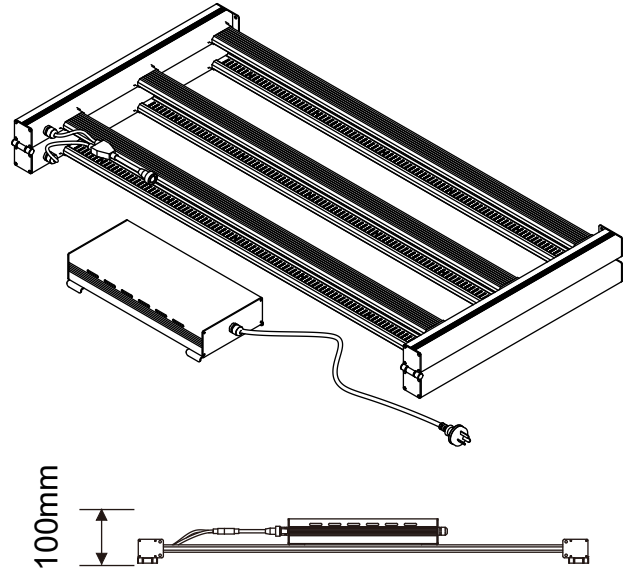
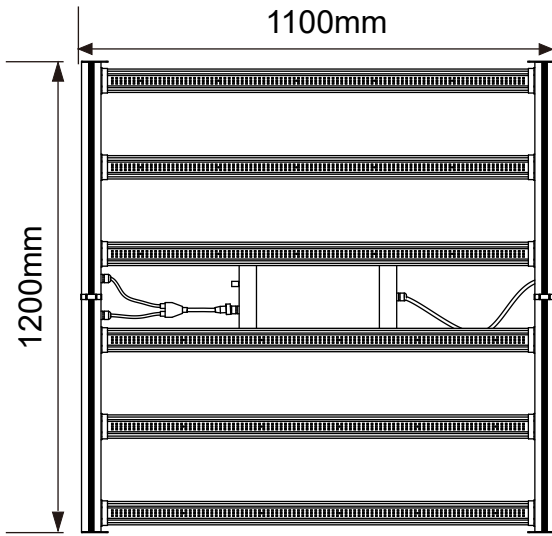


18" Height



24" Height

DIMENSION



UNFOLD DIMENSION

| | | |
|-------------|--------|---------|
| Case Length | 120cm | 47.2" |
| Case Width | 110cm | 43.3" |
| Height | 10cm | 3.93" |
| Weight | 15.3kg | 33.7lbs |

FOLD DIMENSION

| | | |
|-------------|--------|---------|
| Case Length | 114cm | 44.8" |
| Case Width | 63.5cm | 25" |
| Height | 14.5cm | 5.7" |
| Weight | 15.3kg | 33.7lbs |

SPECIFICATIONS

| | |
|-------------------|--|
| Light Source | LED |
| Spectrum | Full spectrum |
| PPF | 1780±5%umol/s |
| Input Power | 650±5%W |
| Efficacy | 2.1umol/J |
| input voltage | 47.2"L×43.3"W×3.93"H 120cmL×110cm W×10cmH |
| Outer Carton Size | 44.8"L×25"W×5.7"H 114cm L*63.5cm W*14.5cm H |
| Weight | 33.7lbs 15.3kg |
| Ride height | ≥24"(60cm) Above Canopy |

SPECIFICATIONS

| | |
|---------------------|-----------------|
| Thermal Management | Passive |
| Dimming | 1-10V |
| Light Distribution | 120° |
| Lifetime L90 | >54,000hrs |
| Power Factor | ≥0.98 |
| Certification | CE, FCC, ROHS |
| Working temperature | 10 C ~40 C, max |
| Certifications | IP65 |
| Warranty | 3 Year |